

MonoGard Continuous Dust Monitor

MonoGard Continuous Dust Monitor

SiteGard advanced particulate sensors lie at the very heart of the MonoGard multi-point particulate monitoring system; one MonoGard unit can control up to four SiteGard sensors. The MonoGard unit has a 32-character display and a keypad that allows the operator to programme each SiteGard sensors' alarm and remote data mode.

The system allows operation in two modes; in 'indicative' mode output is proportional to an unqualified concentration of dust in the stack, with variations in dust concentration expressed as percentages. In 'quantitative' mode the SiteGard sensor is calibrated with an isokinetic test and the output is dust density in mg/m³.

The MonoGard signal processor is capable of transmitting data over long distances to a data logging device. MonoGard has a single on-board current output and others may be added via a Gard output unit. Alternatively, there is an on-board 14,000-space data logger that can be configured to store from 1 to 4 channels at user-specified time periods. This data can be downloaded periodically to a PC equipped with DataGard Compact software.

- robust, reliable & suitable for all particulates
- easy installation, low maintenance
- well-proven technology, accurate sensing method
- adaptable; suitable for virtually all dust collectors
- wide range of duct sizes from 250mm to 2m
- expandable to up to four SiteGard sensors
- calibratable to kg/hr (lb/hr)/ mg/m³ (gr/DSCF)
- low cabling cost with all sensors on a single data bus
- periodic data downloading via DataGard Compact PC software

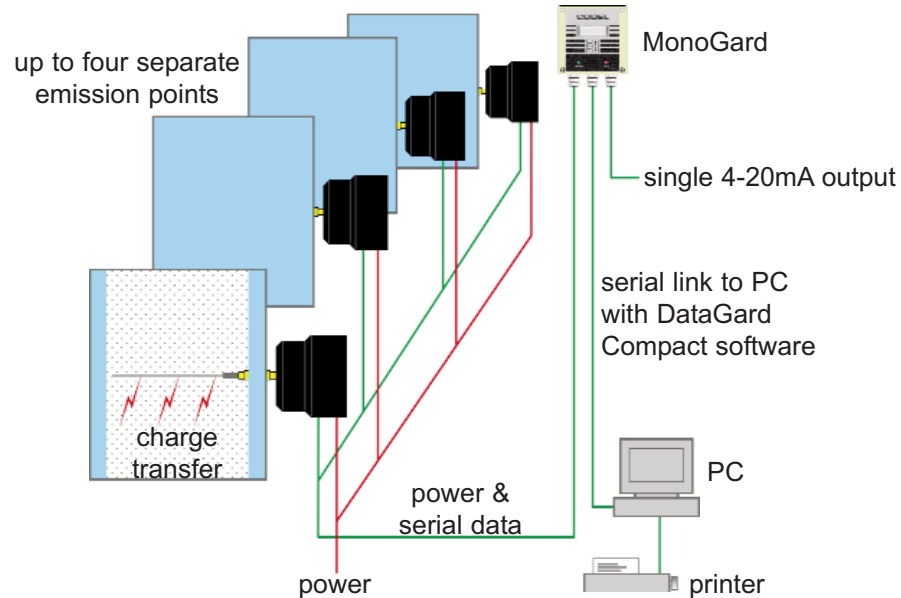


Total Solutions - Total Confidence

SmartCem



Overall Unit Dimensions



Specification

SiteGard

Ambient Temperature	: -20°C to +75°C
Flue Gas Temperature	: 0°C to 200°C
Displays	: alarm & relative dust level LED
Gain	: 0.5 to 7000
Alarm Level	: programmable by user
Power Requirement	: 85/265V AC
Mains Connector	: 3-way plug and socket
Probe Material	: 316 stainless steel
Probe Lengths	: 250, 500, 750 & 1000mm
Outputs	: serial link, 1200 baud
Operating Range	: 0.07 to 1000mg/m ³
Particle Size	: 0.1 to 300µm

MonoGard

Display	: 32-character back-lit LCD
Keypad	: 4-key membrane
Number of Sensors	: up to 4
Current Output	: 4-20mA opto-isolated
Alarm Output	: alarm relay 2.5A @ 24V
Data Storage	: 14,000 spaces available, 1 to 60 minute averages
Ambient Temperature	: -20°C to +70°C
Comms. Loop	: 10km (6miles) max.

General

Enclosures	: aluminium casting, weatherproof to IP67 (NEMA 4)
------------	--

Compliances

EMC	: 89/336/EEC directive compliant
Low Voltage	: 73/23/EEC directive compliant

SmartCem

CODEL International Ltd.
Station Building, Station Road
Bakewell, Derbyshire DE45 1GE
England

Tel: +44 (0) 1629 814 351
Fax: +44 (0) 8700 566 307
e-mail: codel@codel.co.uk
web site: www.codel.co.uk

Distributor :

